

Part number

CX 01 YPEM



Brief description:

male insert, 1 pole PE, crimp connections, 200A V, 200A male crimp contacts, 2 modules, modular units series MIXO

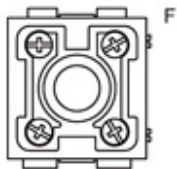
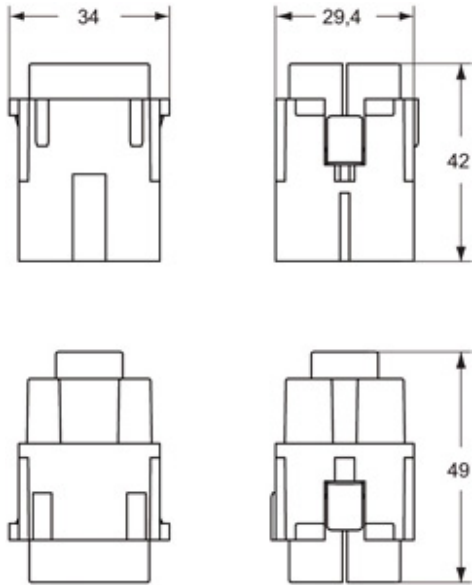
Product description		Approvals / Standards	
Model	male insert	Quality mark	EAC
Version	Crimp connection	Conformity	CQC, CE
Product type	200A male crimp contacts	General ordering information	
Style	PE module for earth termination	EAN13 code	8015747168083
Family	MIXO series, customizable inserts	Tariff number	85369095
Size	2 modules	Packaging Information	
N. of poles	1 pole PE	Packaging length	112,00 mm
Technical data		Packaging height	95,00 mm
Current	200 A (A.C. and D.C.)	Packaging width	117,00 mm
Operating temperature range (min, max)	-40°C ... +125°C	Packaging weight	0,19 kg
IP degree of protection	IP20 without enclosure; IP65/IP66/IP67/IP68 with enclosure	Packaging volume	1,24 dm ³
Further technical details		Packaging description	Carton box
Insulation resistance	≥ 10 GΩ	Packaging quantity	5 Pcs
Rated voltage according to UL/CSA	600V	Packaging EAN code	8015747168427
UL 94 flammability rating	V-0	Sub-packaging weight	0,04 kg
Weight	39,00 g	Sub-packaging description	Plastic bag
		Sub-packaging quantity	1 Pcs
		Sub-packaging EAN barcode	8015747168434

Part number

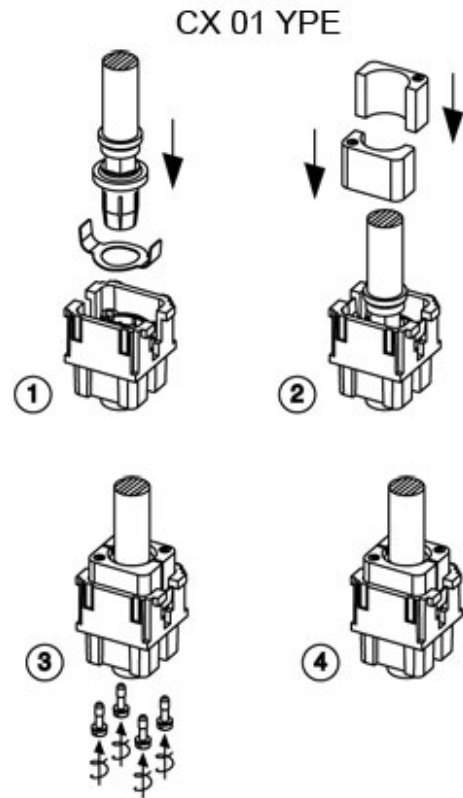
CX 01 YPEM



Catalogue drawings



Catalogue drawings



Notes

- ambient temperature limit: -40 °C ... +125 °C
- are made of self-extinguishing thermoplastic resin UL 94 V0

the modular inserts must be installed in suitable frames which in turn are installed in traditional housings or COB panel support